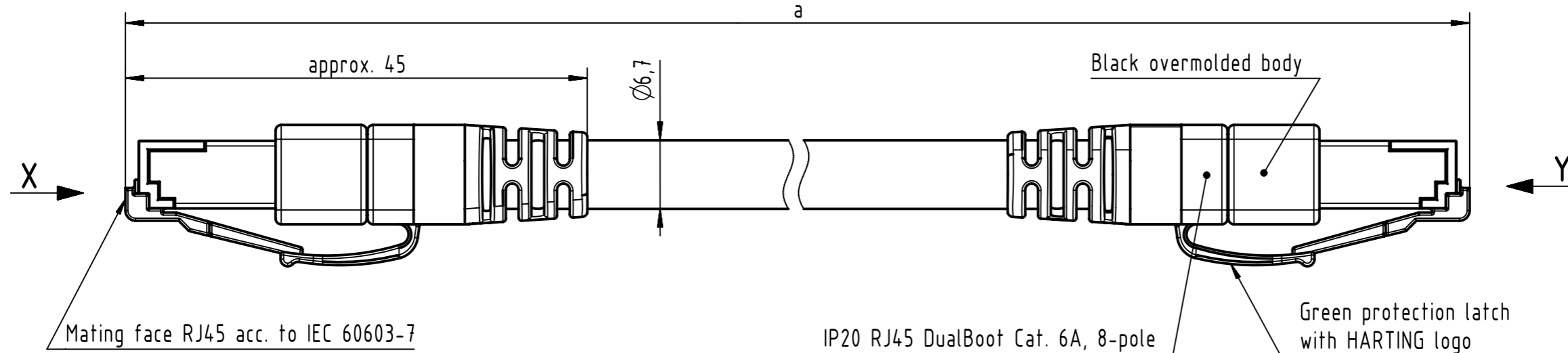


Connector Location A

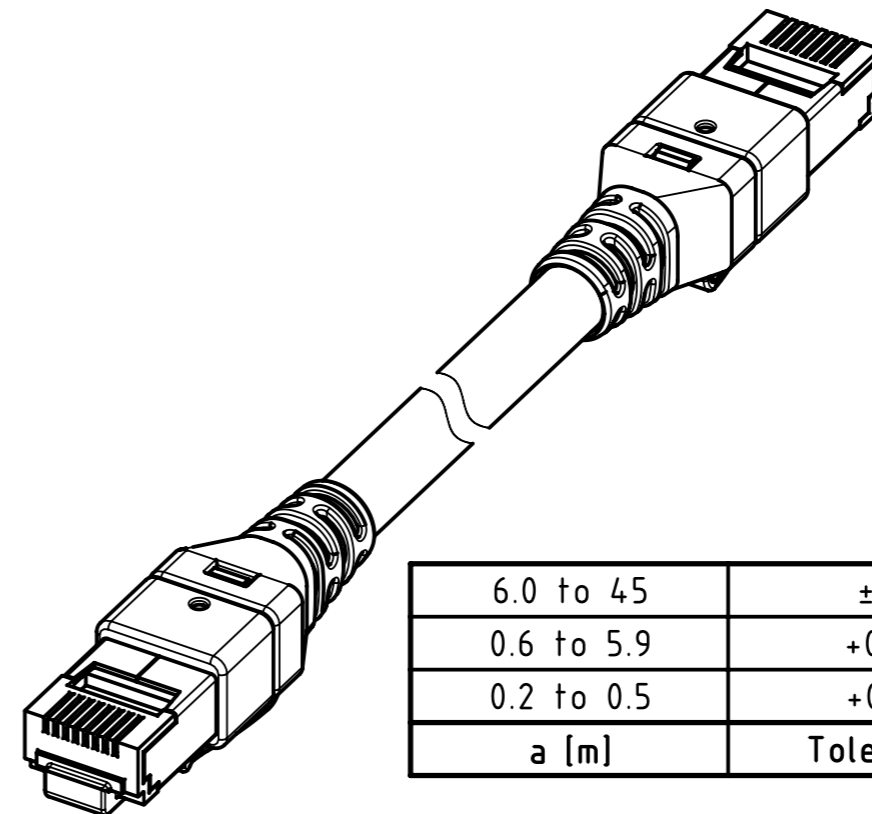
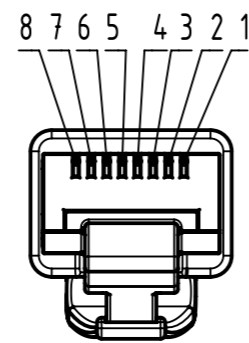
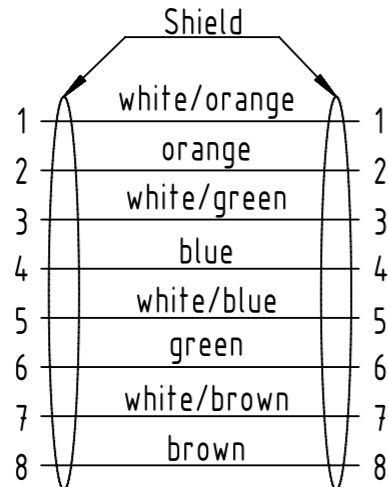
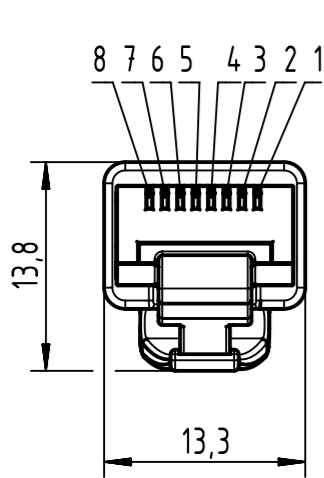
Connector Location B



X male

Loading Plan acc. to TIA/EIA 568B

Y male



6.0 to 45	±1%
0.6 to 5.9	+0.04
0.2 to 0.5	+0.02
a [m]	Tolerance

length in "1m" step	45	XXX=450
	44	XXX=440
	.	.
	12	XXX=120
length in "0.1m" step	11	XXX=110
	10	XXX=100
	9.9	XXX=099
	9.8	XXX=098
	.	.
	0.5	XXX=005
	0.4	XXX=004
	0.3	XXX=003
	0.2	XXX=002
Step	a [m]	XXX

NOTE:
 For lengths < 1.0m:
 - relative positioning of the connectors to each other shall be as presented in the drawing, however with an admissible angular deviation around cable axis of ± 30°
 For lengths ≥ 1.0m:
 -relative positioning of the connectors to each other not obligatory

Temperature range:
 - Fixed installation: -40°C ... +80°C
 - Dynamic installation: -40°C ... +80°C

RJI Ethernet Stranded Cable, 4x2xAWG 26/7, PUR, Cat. 6A, green	09484747744XXX
Type of cable	Part no.

All rights reserved Department HCS - RO HARTING Customised Solutions D-32339 Espelkamp	All Dimensions in mm Tech. Character. Free size tol. According to production drawing	Created by COSTEA Inspected by 402676 Gross Standardisation MUNTEANV Muntean Date 2020-11-02 State Final Release	Title RJI DB Cat6a Cable Assembly PUR green Type TB Number 09484747744XXX	Doc-Key / ECM-Nr. 100802346/UGD/024/C 500000182295 Rev. C Page 1/1
---	---	--	---	--